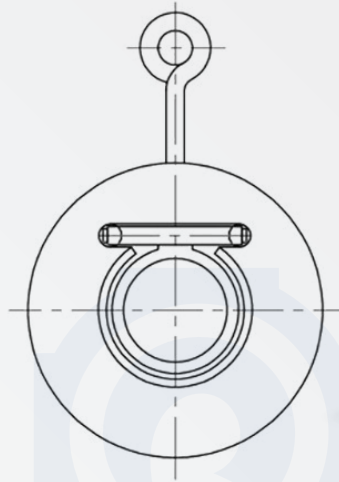
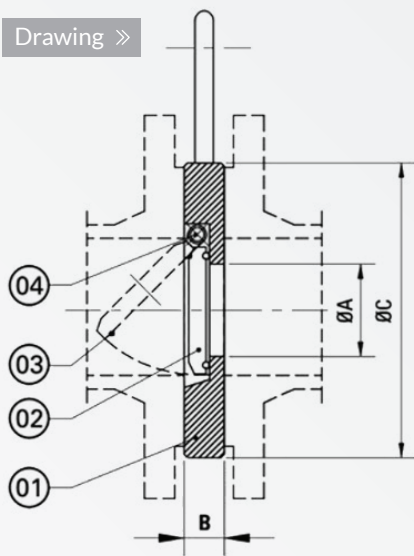


# I. C. Wafer Check Valves (NRV)

## Technical Data

Design & Manufacturing Std: API 6 D / ANSI B 16.34  
 Testing & inspection Std: API 598  
 Pressure Class: PN 10

Drawing »



## I. C. WAFER CHECK VALVE

Size		Dimension		
Inch	M.M.	ØA	B	ØC
1 1/2"	40	19.5	17	79
2"	50	27.5	17	94
2 1/2"	65	37.5	17	109
3"	80	48.5	17	125
4"	100	69	17	154
5"	125	91	17	184
6"	150	111	17	212
8"	200	153	24	260
10"	250	189	24	302
12"	300	225	24	352

S. N.	Parts Name	Material	Qty
01	Body	IC CF8 / CF8M	1
02	Disc	IC CF8 / CF8M	1
03	O Ring	PTFE Seat Only	1
04	Hinge	M.S.	1

## PRIMARY SERVICE RATING & TEST PRESSURE

Class	Hydro Test Pressure		Max. Temp.
	Body	Seat	
PN 10	225 PSI	150 PSI	180°C

Note: (1) All Dimension are in mm  
 (2) Tolerance  $\pm 3$  mm  
 (3) Confirm exact application at time of order