

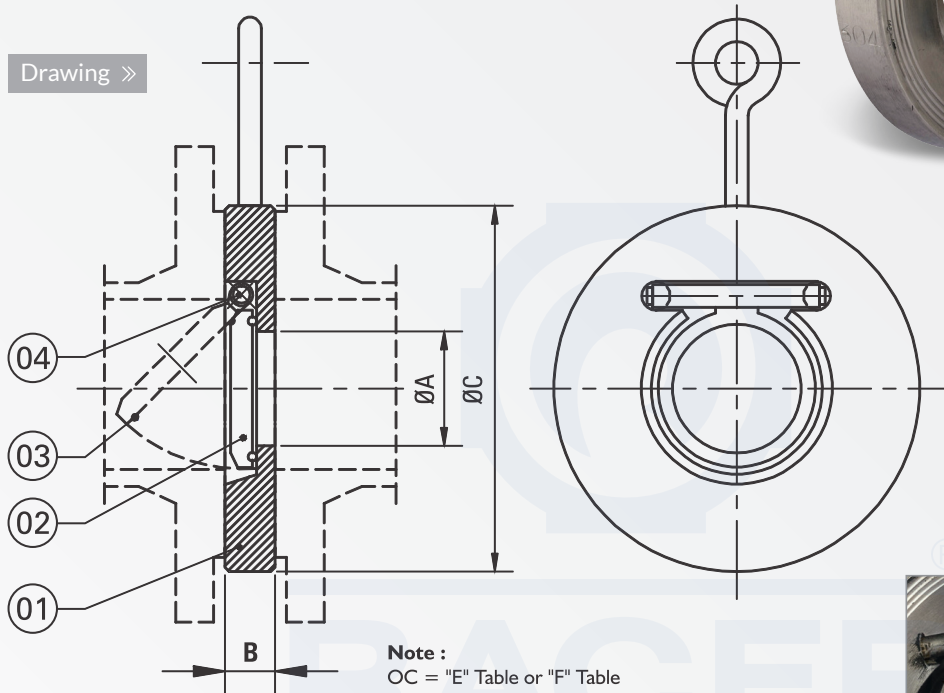
Wafer Check Valves (NRV) (Barstock)

Technical Data

Design & Manufacturing Std: API 6D / ANSI B 16.34
 Testing & inspection Std: API 598
 Pressure Class: PN 10 / PN 16



Drawing »



WAFER CHECK VALVE					
Size		Dimension		ØC	
Inch	M.M.	ØA	B	"E"	"F"
1 1/2"	40	12.5	18	74	92
2"	50	25	18	94	109
2 1/2"	65	32	18	110	129
3"	80	45	18	125	144
4"	100	68	18	155	164
5"	125	85	18	184	194
6"	150	110	18	210	219
8"	200	157	25	260	274
10"	250	195	25	305	330
12"	300	200	25	357	380

PRIMARY SERVICE RATING & TEST PRESSURE		
Class	Hydro Test Pressure	
	Body	Seat
PN 10	225 PSI	150 PSI

S. N.	Parts Name	Material	Qty
01	Body	C.I./M.S./S.S. 202/304/316	1
02	Disc	C.I./M.S./S.S. 202/304/316	1
03	'O' Ring	Nitrile, EPDM	1
04	Hinge	M.S.	1

Note: (1) All Dimension are in mm
 (2) Tolerance ± 3 mm

