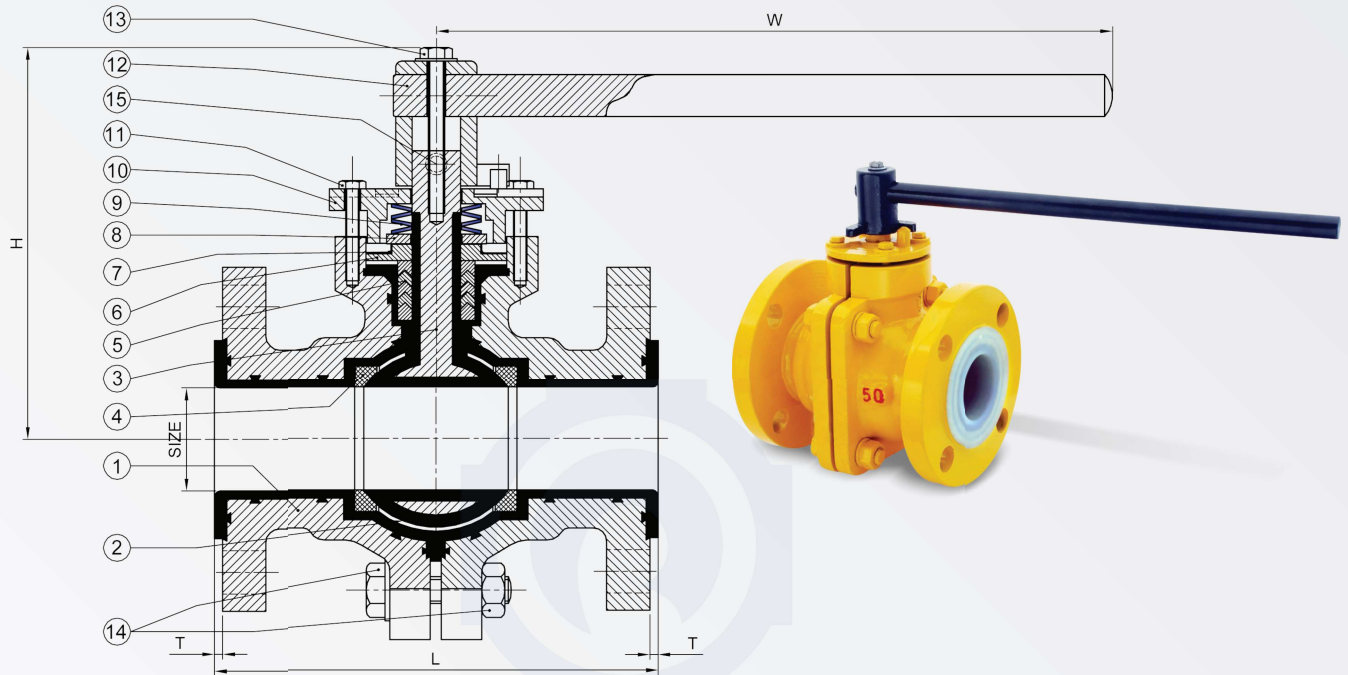


# PTFE Lined Ball Valves Lever Operated

Drawing »



## M/c. Devition for linear as per ISO 2768-m

Dimn	Over	0.5	6	30	120	400	1000	2000
	Upto	6	30	120	400	1000	2000	4000
Tolerance	±0.1	±0.2	±0.3	±0.5	±0.8	±1.2	±2	

## PTFE BALL VALVES

Size	L	H	W	T
1"	127	116	165	3.5
1.1/2"	165	135	255	3.5
2"	178	156	315	3.5
3"	203	172	415	3.5
4"	229	199	450	3.5

S. N.	Parts Name	Material
01	Body	SG Iron, WCB or S.S.
02	Ball	PFA/FEP Lined MS or S.S.
03	Stem	Lined M.S. or S.S.
04	Seat Ring	PTFE
05	Chavron Packing	PTFE
06	Diaphram	PTFE
07	S.S. Diapharam	S.S.
08	Thrust Washer	M.S., S.S.
09	Disc Spring	Spring Steel
10	Gland Housing	M.S./S.S.
11	Bolt & Washer	M.S./S.S.
12	Handle	M.S./S.S.
13	Lock Bolt	M.S./S.S.
14	Bolt, Nuts & Washer	M.S./S.S.
15	Gub Screw	M.S./S.S.

Note: (1) All Dimension are in mm

(2) Tolerance + 3 mm

Application

