



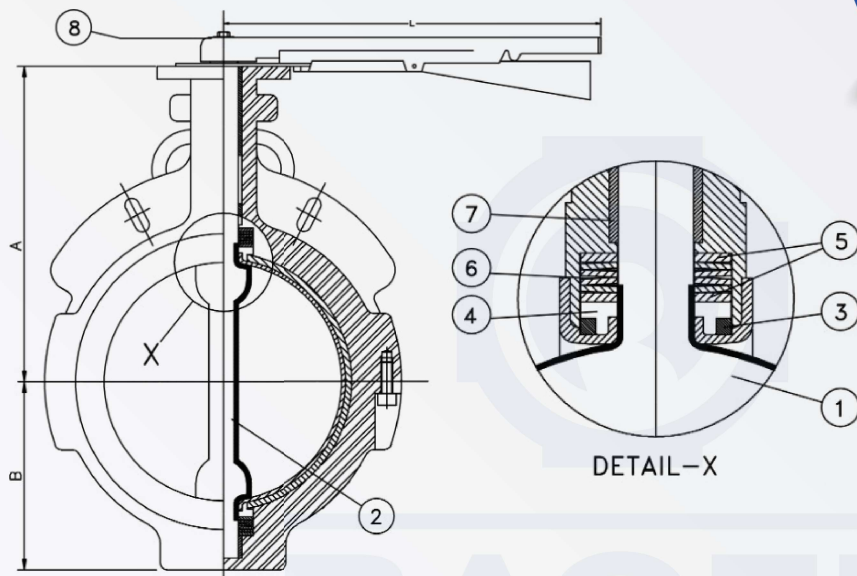
**RACER**  
RACER VALVES PRIVATE LIMITED

# PTFE Lined Butterfly Valves Lever Operated

## Technical Data

Design & Manufacturing Std: API 609  
 Drilling Standard: Universal  
 Max, Service Temp: FEP: 160° C  
 PFA: 160° C

## Drawing »



PTFE LINED BUTTERFLY VALVES					
Size	F/F	A	B	L	Kg. Wt.
50	43	100	70	265	4.2
65	46	114	75	265	5.1
80	46	120	80	265	5.7
100	52	158	110	350	7.8
125	56	175	125	350	10
150	56	190	130	430	13.2
200	60	220	160	430	29.3
250	68	250	185	G.Box	51.5
300	78	285	215	G.Box	70.6
350	78	325	285	G.Box	90.6

S. N.	Parts Name	Material
01	Lever Assly.	C.S.
02	Guide Bush	S.S. AISI 304
03	Cup Washers	Spring Steel Nickel Plated
04	Thrust Washers	S.S. AISI 304
05	Thrust Collar	PTFE
06	Elastomer Backing	Silicon
07	Disc with Integral Shaft	AISI 304/316/FEP/PFA Lined
08	Body Liner 3mm Thick	PTFE/FEP/PFA

Note: (1) All Dimension are in mm  
 (2) Tolerance  $\pm 3$  mm  
 (3) Butterfly range available upto 28"

Application

