



**RACER**  
RACER VALVES PRIVATE LIMITED

# I. C. Disc Check Valves (DCV) Non Return Valves

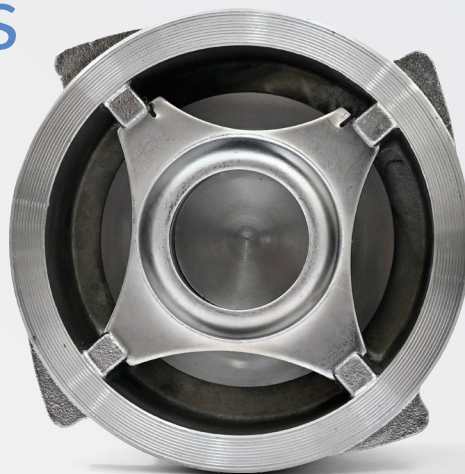
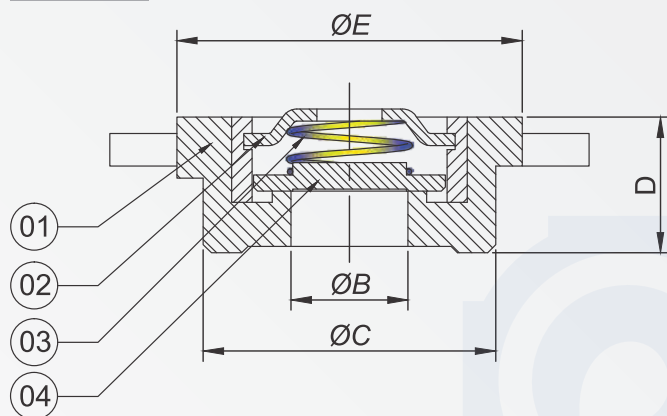
## Technical Data

Design & Manufacturing Std: As per Mfr's Std.

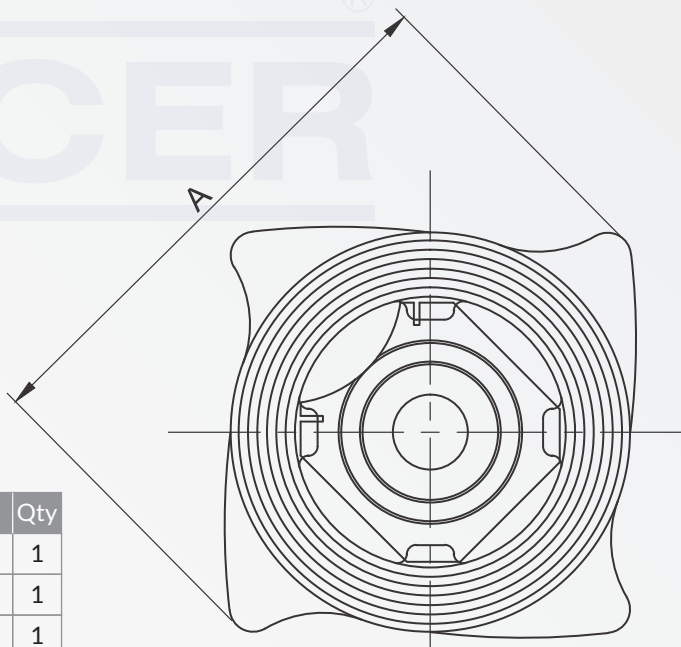
Testing & inspection Std: API 598

Pressure Class: PN 16 / PN 40

## Drawing »



DCV					
Size	A	ØB	ØC	D	ØE
15	59	15	37	17	42
20	68	20	44	19	52
25	79	25	55	22	60
32	87	32	64	28	72
40	99	40	77	31	84
50	113	50	91.5	40	94
65	137	62	107	46	114
80	151	79	122	50	132
100	179	100	142	61	155
125	216	125	170	90	186
150	256	150	205	107	215
200	317	200	260	140	277



S. N.	Parts Name	Material	Qty
01	Body	ASTM A 351 Gr. CF8/CF8M	1
02	Spring	S.S. 202/304/316	1
03	Lock Plate	S.S. 202/304/316	1
04	Cover Plate	ASTM A 351 Gr. CF8/CF8M	1

Note: (1) All Dimension are in mm  
(2) Tolerance ± 1.5 mm

## Application

