

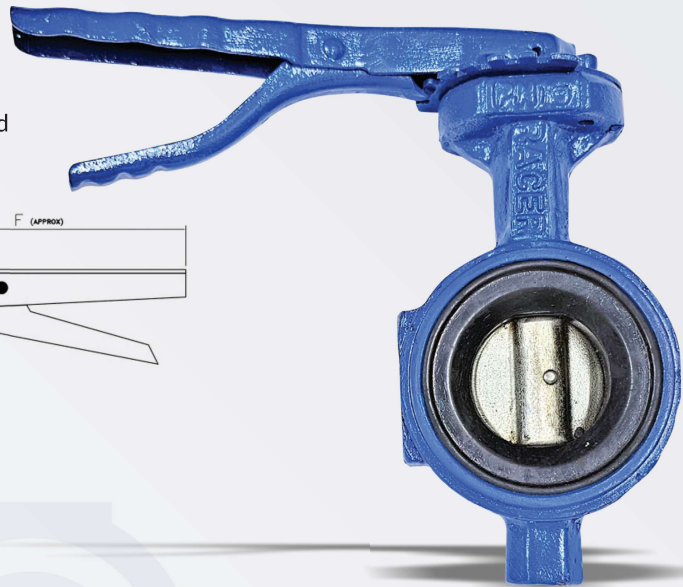


**RACER**  
RACER VALVES PRIVATE LIMITED

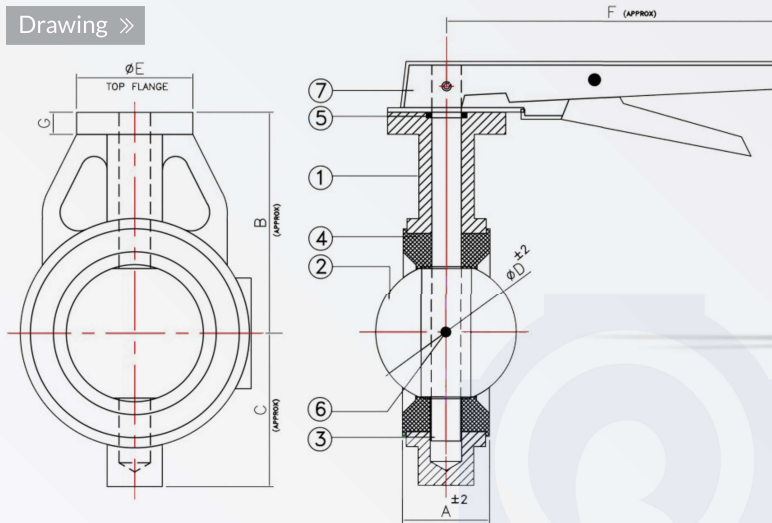
# Butterfly Valves (PN 16)

## Technical Data

Design & Manufacturing Std: API 609 / IS: 13095  
 Testing & inspection Std: API 598 / IS 13095  
 Temp. Rating: Material will be selected according to service



## Drawing »



SIZE		A	B	C	D	E	F	G	Top Flange Mounting ISO 5211
Inch	M.M.								
1 1/2"	40	36	92	52	40	65	180	15	F05
2"	50	43	103	70	50	65	180	15	F05
2 1/2"	65	46	110	76	63	65	180	15	F05
3"	80	46	118	85	76	65	215	15	F05
4"	100	52	148	102	100	65	215	15	F05
5"	125	56	164	115	125	65	215	15	F05
6"	150	56	176	130	150	65	265	15	F05
8"	200	60	230	156	200	75	325	15	F07
10"	250	68	266	196	250	-	-	18	F10
12"	300	78	300	230	298	-	-	18	F10
14"	350	92	320	272	348	-	-	22	F12
16"	400	102	385	302	394	-	-	22	F14

Primary Service Rating & Test Pressure			
	Hydro Test Pressure		
Class	Body	Seat	Mini - Max Temp.
PN 16	22 Bar	16 Bar	60°C - 200°C

S.N.	Parts Name	Material
01	Body	Cast Iron/Cast Steel/S.S. 304-316
02	Disc	Cast Iron/Cast Steel/S.S. 304-316
03	Spindle	S.S. 410/304/316
04	Body Lining	Nitrile/EPDM/Silicon/Viton/Hypalon
05	'O' Ring	Nitrile/EPDM
06	Pin	S.S. 304/316
07	Lever	M.S. Fabricated

Note: (1) All Dimension are in mm.  
 (2) Tolerance  $\pm 3$  mm  
 (3) Butterfly range available upto 28"  
 (4) Gear Operated also available

Application

