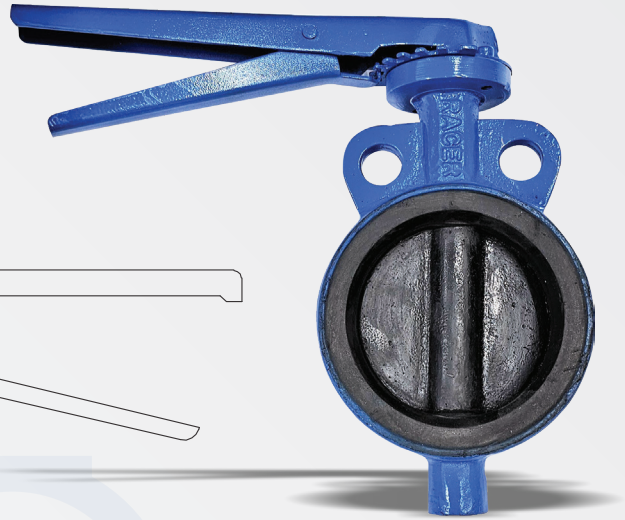


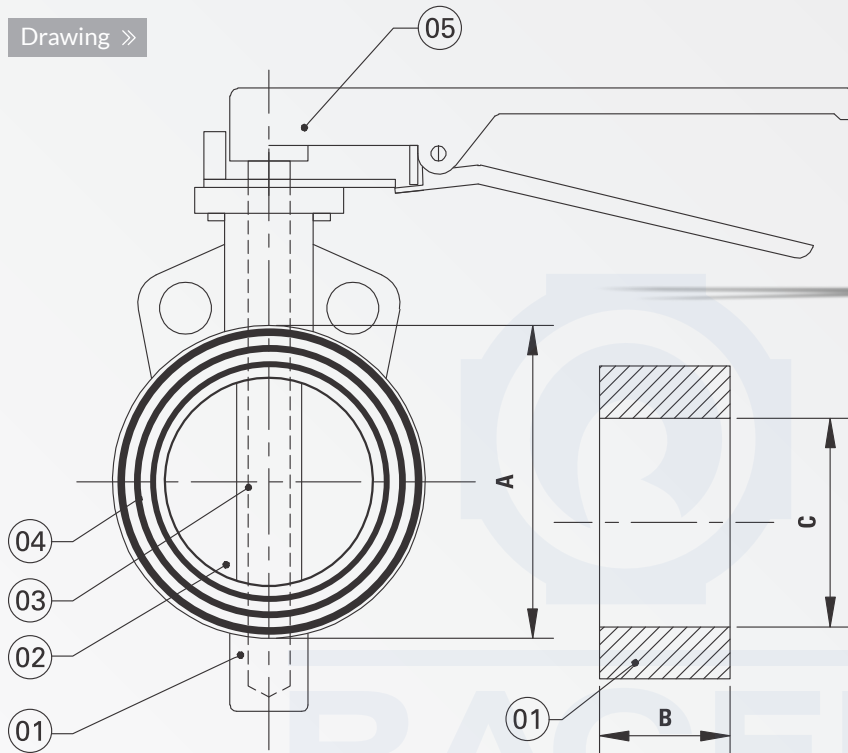
# Butterfly Valves (PN 10)

## Technical Data

Design & Manufacturing Std: API 609 / IS: 13095  
 Testing & inspection Std: API 598 / IS 13095  
 Temp. Rating: Material will be selected according to service



## Drawing »



SIZE		A	B	C
Inch	M.M.			
1 1/2"	40	71	39	40
2"	50	78	43	50
2 1/2"	65	103	48	64
3"	80	119	49	80
4"	100	138	55	100
5"	125	163	55	125
6"	150	194	56	147
8"	200	256	62.5	196
10"	250	315	71	241
12"	300	373	80	294

Sr. No.	Parts Name	Material	Qty
01	Body	C. I./C. S./S.S. 202/S.S. 304/S.S. 316	1
02	Disc	C. I./D. I./S.G. Iron/C. S./CF8/CF8M	1
03	Spindle	AISI 410/S.S. 304/S.S. 316	1
04	Rubber Lining	Nitrile/EPDM/Viton/Silicon	1
05	Lever	M.S./S.S./Gear Operated	1

Primary Service Rating & Test Pressure			
Hydro Test Pressure			
Class	Body	Seat	Mini - Max Temp.
PN 10	15 Bar	10 Bar	60°C - 200°C

Note: (1) All Dimension are in mm.  
 (2) Tolerance  $\pm 3$  mm  
 (3) Butterfly range available upto 28"  
 (4) Gear Operated also available

