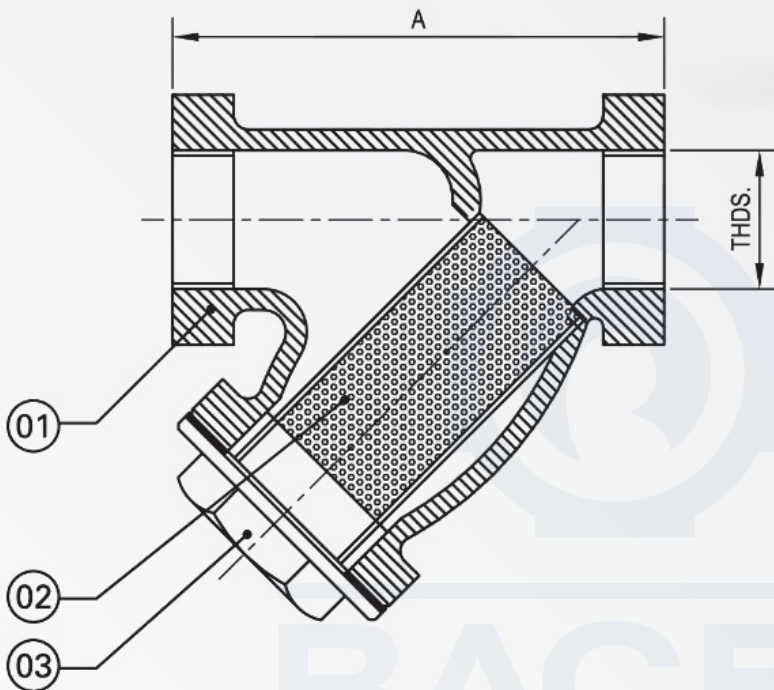


# C. I. "Y" Strainer Screw End

## Technical Data

Face To Face: As per Mfr's Std.  
End Connections: Screw End To BSP

Drawing »



## "Y" STRAINER FALGED END.

Size	THDS.	A
15	1/2" B.S.P. THD.	99
20	3/4" B.S.P. THD.	104
25	1" B.S.P. THD.	120
40	1.1/2" B.S.P. THD.	144
50	2" B.S.P. THD.	157
65	2.1/2" B.S.P. THD.	208
80	3" B.S.P. THD.	235
100	4" B.S.P. THD.	281

## Hydraulic Test Pressure

Body 7 Kg/cm<sup>2</sup>

S. N.	Parts Name	Material	Qty
01	Body	C.I.	1
02	Screen	S.S. 202/S.S. 304	1
03	Cover/Bush	C.I.	1

Note: (1) All Dimension are in mm  
(2) Tolerance  $\pm 3$  mm