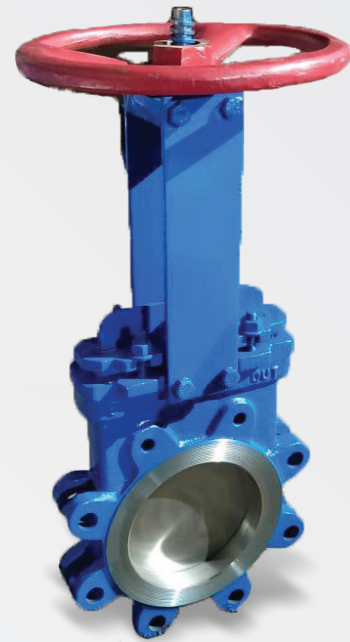
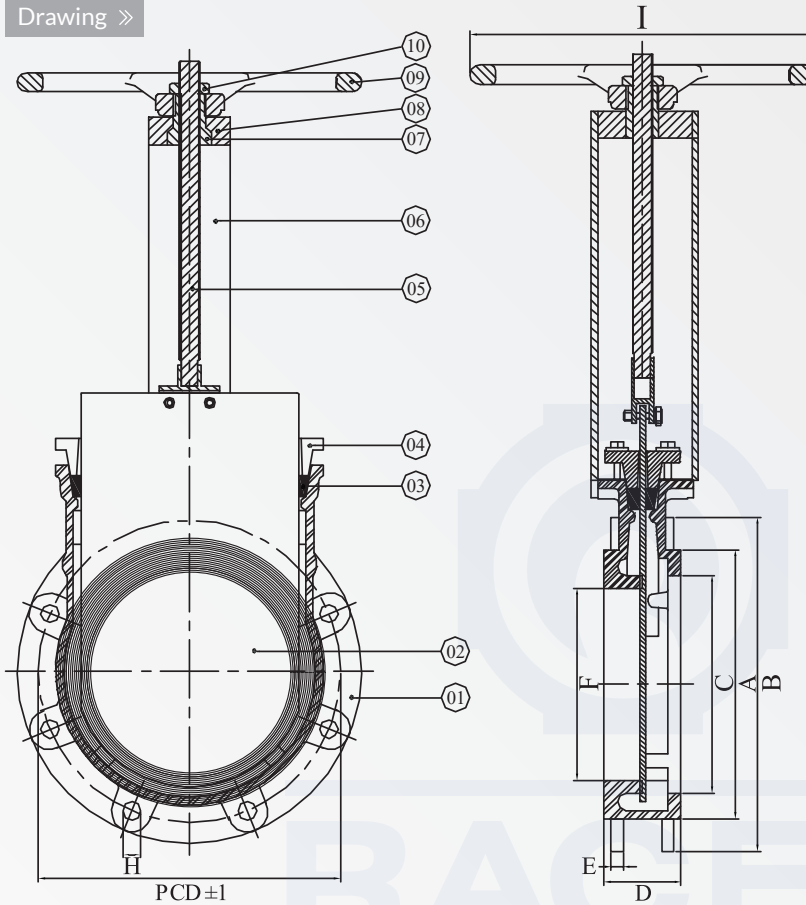


Knife Edge Gate Valves

Drawing »



KNIFE EDGE GATE VALVE

Size NB	A	B	C	D	E	F	H	I	PCD
2" 50	95	150	60	50	12	50	14	200	121
2.5" 65	110	170	70	50	12	65	14	200	140
3" 80	120	180	80	50	12	75	14	200	153
4" 100	155	225	115	56	12	100	18	205	191
5" 125	185	245	135	56	15	125	18	205	216
6" 150	200	275	160	60	15	150	18	260	243
8" 200	260	340	215	70	16	200	18	320	299
10" 250	330	406	260	70	16	250	20	320	362
12" 300	360	474	310	70	16	300	20	360	432
14" 350	440	530	365	75	18	350	22	360	476
16" 400	488	590	410	90	18	400	25	450	540

S. N.	Parts Name	Material	Qty
01	Body	WCB/SS 304/316	01
02	Gate	SS 304	01
03	Gland Packing	Imp. Asbestos	01
04	Gland Busher	S.G.I.	01
05	Spindle	SS 304	01
06	York	M.S./S.S.	01
07	Sleeve	G.M.	01
08	Block	CI	01
09	Wheel	SGI	01
10	Fastners	MS	01

Note: (1) All Dimension are in mm
(2) Tolerance ± 3 mm