

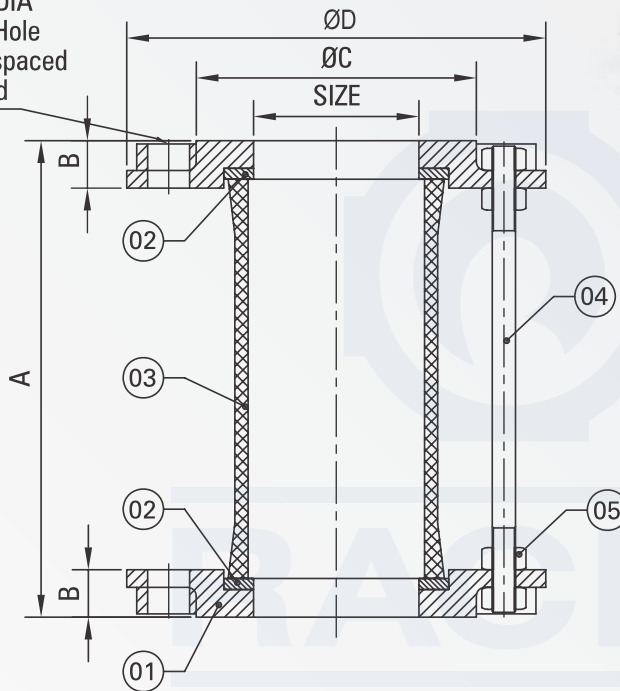
IC Full View Sight Glass

Technical Data

Face To Face: As per Standard Length
End Connections: Flange Ends

Drawing »

ØM-Hole DIA
N-No. Of Hole
PCD Equispaced
off centred



FULL VIEW SIGHT GLASS 150#								
Size	A(6")	A(4")	B	ØC	ØD	ØM	N	PCD
15	170	121	16	35	87.5	13	4	59.5
20	170	121	16	42	97.5	13	4	70
25	177	125	19	49	106.5	15	4	78
40	181	130	19	70	125	16	4	96
50	183	131	20	89	151	19	4	119
65	183	132	20	104	178	19	4	139.5
80	180	132	20	123	188	19	4	149
100	188	133	23	154	227	19	4	188
150	198	148	26	215	280	23	8	240

S. N.	Parts Name	Material	Qty
01	Flange	CF8/CF8M	2
02	Gasket	PTFE	2
03	Glass Tube	Toughaned	1
04	Stud	S.S. 202/304/316	-
05	Nut	S.S. 202/304/316	-

Hydraulic Test Pressure
Body
5 Kg/cm ²

Note: (1) All Dimension are in mm
(2) Tolerance ± 3 mm