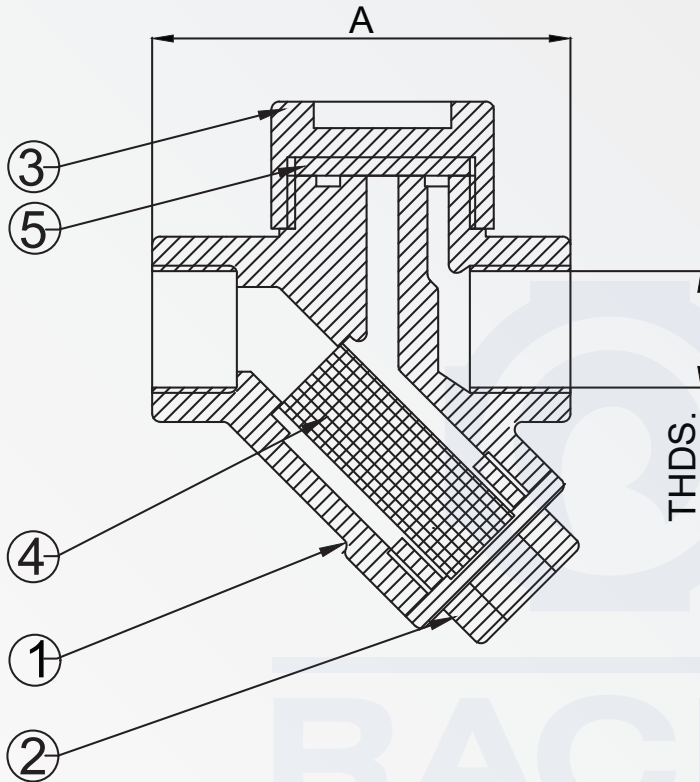


I. C. Steam Traps

Technical Data

End Connection: Screw End / BSP

Drawing »



STEAM TRAP			
Size		A	THRDS. (BSP\NPT)
Inch	M.M.		
1/2"	15	79	1/2"
3/4"	20	79	3/4"
1"	25	88	1"

S. N.	Parts Name	Material	Qty
01	Body	AISI 410	1
02	Cap	AISI 410	1
03	Body Cover	AISI 410	1
04	Screen	SS	1
05	Disc	AISI 410	1

Note: (1) All Dimension are in mm
(2) Tolerance ± 3 mm