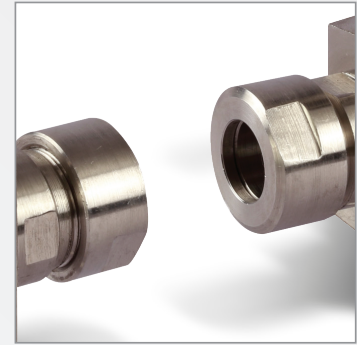
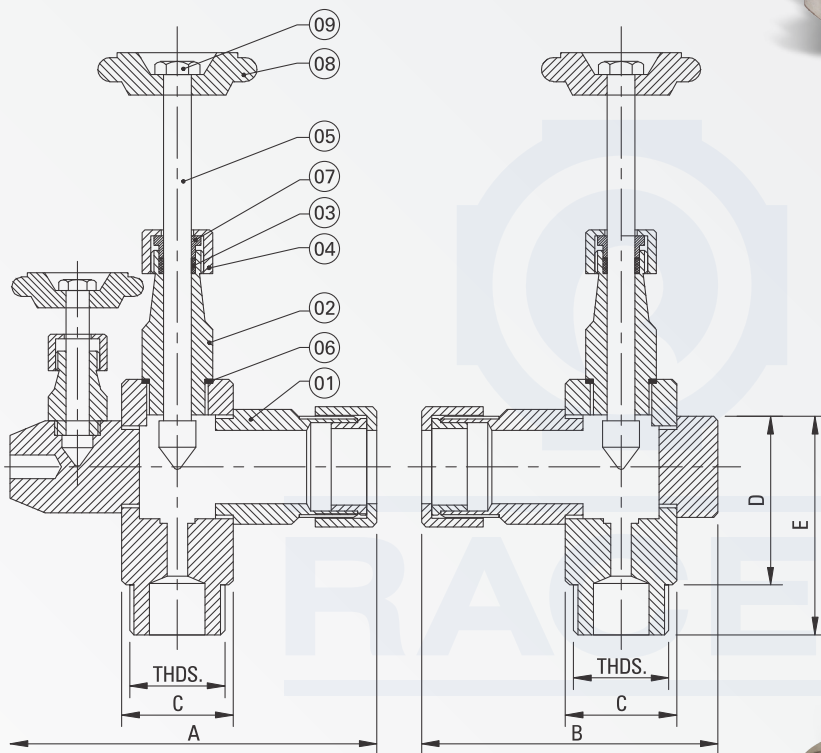


Gauge Glass Cock Set S/E & Gauge Glass Cock Set F/E

Technical Data

Design and Manufacturing Std: As per Mfr's Std.
 Testing and Inspection Std: BS5146
 End Connection: Screw BSP
 End Connection: Flange as per 150# & Table 'E'

Drawing »



GAUGE GLASS S/E						
Size NB	A	THDS-BSP	B	C	D	E
15	101	1/2"	75	27	50	65
20	110	3/4"	80	31	55	70
25	135	1"	100	36	36	80

PRIMARY SERVICE RATING & TEST PRESSURE		
Hydro Test Pressure		Max. Temp.
Body	Seat	
215 PSI	145 PSI	180°C

S. N.	Parts Name	Material	Qty
01	Body	S.S. 202/S.S. 304/S.S. 316	1
02	Bonnet	S.S. 202/S.S. 304/S.S. 316	1
03	Gland	S.S. 202/S.S. 304/S.S. 316	1
04	Gland Nut	S.S. 202/S.S. 304/S.S. 316	1
05	Stem	S.S. 202/S.S. 304/S.S. 316	1
06	Body Gasket	PTFE	-
07	Gland Packing	PTFE	1
08	Hand Wheel	Bakelite	1
09	Hand Wheel Nut	M.S.	1

Note: (1) All Dimension are in mm
 (2) Tolerance ± 3 mm
 (3) Flange End Gauge glass available on request