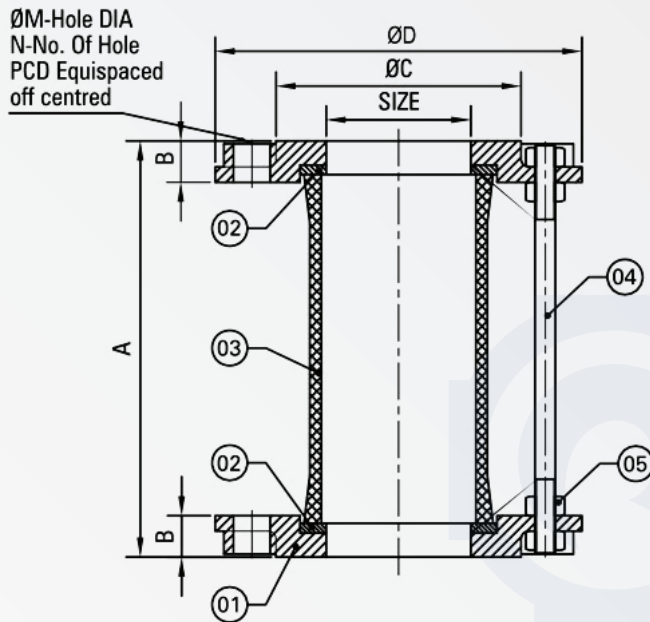


Full View Sight Glass Barstock Type

(M.S./S.S.)

Drawing »



FULL VIEW SIGHT GLASS									
Size	A (6")	A (4")	B	ØC	ØD	ØM	N	PCD	Check Nut Type
15	170	120	12.5	35	89	16	4	60.3	-
20	170	120	12.5	43	98	16	4	69.8	-
25	172	122	13.5	51	108	16	4	79.4	188
40	175	125	15.5	73	127	16	4	98.4	188
50	177	127	16.5	92	152.4	19	4	120.5	188
65	182	132	18.5	105	178	19	4	139.7	192
80	182	132	18.5	127	190.5	19	4	152.4	192
100	182	132	18.5	157	230	19	8	190.5	192
150	186	136	22	216	279.5	22	8	241.5	192

S. N.	Parts Name	Material	Qty
01	Flange	S.S. 316/S.S. 304/M.S.	2
02	Gasket	PTFE	2
03	Glass Tube	Toughened	1
04	Stud	Zinc Plated Steel/S.S. 304	-
05	Nut	Zinc Plated Steel/S.S. 304	-

Note: (1) All Dimension are in mm
 (2) Tolerance ± 3 mm
 (3) Allen Key Type and
 Check Nut Type Desing available

Application

