

Forged Steel Gate Valves & Globe Valves

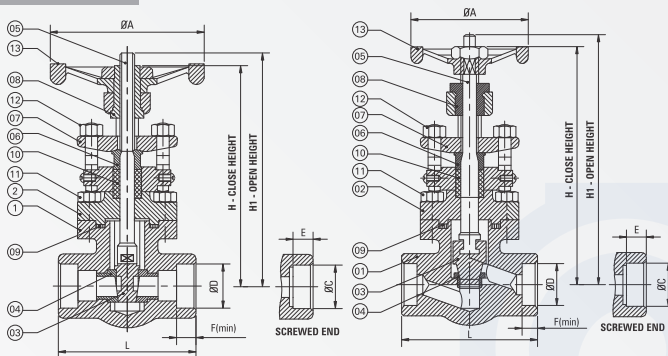
Technical Data (Gate Valves)

Design & Manufacturing Std: BS 5352
 Testing & inspection Std: BS 6755 (Part-1)
 Face To Face: As per ANSI B 16.10
 End Connections: Screw End to BSP/NPT

Technical Data (Globe Valves)

Design & Manufacturing Std: BS 5352 / API 602
 Testing & inspection Std: BS 6755 (Part-1) / API 598
 Face To Face: As per ANSI B 16.10
 End Connections: Screw End to BSP/NPT

« Drawing



S. N.	Parts Name	Material	Qty
01	Body	ASTM A 105/F11/F12/F22/F304/F316	1
02	Bonnet	ASTM A 105/F11/F12/F22/F304/F316	1
03	Disc	AISI 410/304/316	1
04	Seat Ring	AISI 410/304/316	1
05	Spindle	AISI 410/304/316	1
06	Gland	AISI 410/304/316	1
07	Gland Flange	ASTM A 105/Carbon Steel/F304	1
08	Stem Nut	NI-Rest-A 439 Gr. D2/EN 1A	1
09	Bonnet Gasket	Asbestos Filler SS 304 Spiral Wounded	1
10	Gland Packing	Graphite Asbestos with S.S. wire	Req
11	Bonnet Bolts	ASTM A 193 Gr. B7/B8	4
12	Eye Bolt & Nut	Carbon Steel / S.S. 304	2
13	Hand Wheel	C.I./M.S./D.I	1

TEST PRESSURE			
Testing	Hydraulic		Pneumatic
	800#	1500#	
Body	3000 PSIG	5400 PSIG	-
Back Seat	2000 PSIG	4000 PSIG	-
Seat	2000 PSIG	4000 PSIG	80 PSIG

FORGED STEEL GATE VALVES CLASS 800#									
Size	L	H	H1	ØA	Scr. Ends		ØD SW Ends		
					ØC	E	Max	Min	F-Min
15	85	162	170	90	1/2"	13.56	22.22	21.72	9.65
20	92	170	180	90	3/4"	13.87	27.56	27.05	12.70
25	105	190	202	90	1"	17.35	34.29	33.78	12.70
40	127	213	260	145	1 1/2"	18.38	49.15	48.84	12.70
50	140	255	272	145	2"	19.23	61.62	61.11	15.75

FORGED STEEL GLOBE VALVES CLASS 800#									
Size	L	H	H1	ØA	Scr. Ends		ØD SW Ends		
					ØC	E	Max	Min	F-Min
15	85	152	165	90	1/2"	13.56	22.22	21.72	9.65
20	92	161	176	90	3/4"	13.87	27.56	27.05	12.70
25	105	175	198	90	1"	17.35	34.29	33.78	12.70
40	127	240	278	145	1 1/2"	18.38	49.15	48.84	12.70
50	140	255	298	145	2"	19.23	61.62	61.11	15.75

FORGED STEEL GATE VALVES CLASS 1500#									
Size	L	H	H1	ØA	Scr. Ends		ØD SW Ends		
					ØC	E	Max	Min	F-Min
15	92	170	180	90	1/2"	13.56	22.22	21.72	9.65
20	105	190	202	90	3/4"	13.87	27.56	27.05	12.70
25	127	243	260	145	1"	17.35	34.29	33.78	12.70
40	140	255	272	145	1 1/2"	18.38	49.15	48.64	12.70

FORGED STEEL GLOBE VALVES CLASS 1500#									
Size	L	H	H1	ØA	Scr. Ends		ØD SW Ends		
					ØC	E	Max	Min	F-Min
15	92	161	176	90	1/2"	13.56	22.22	21.72	9.65
20	105	175	198	90	3/4"	13.87	27.56	27.05	12.70
25	127	240	278	145	1"	17.35	34.29	33.78	12.70
40	140	255	298	145	1 1/2"	18.38	49.15	48.64	12.70

Note: (1) All Dimension are in mm
 (2) Tolerance ± 3 mm

Application

