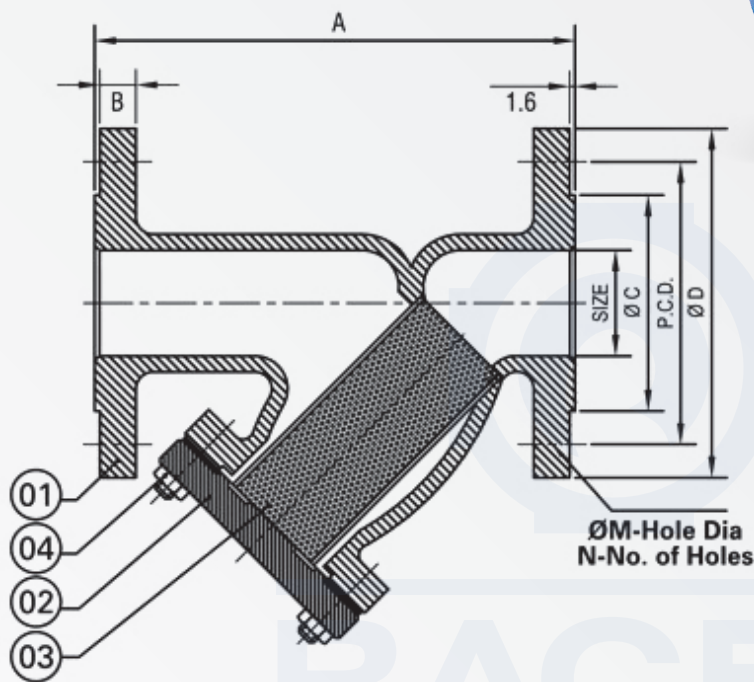


# C.I. "Y" Strainer Flange End

## Technical Data

Face To Face: As per Mfr's Std.  
End Connections: Flange as per ANSI B 16.5

## Drawing »



## CLASS 150#

Size	A	B	ØC	ØD	ØM	P.C.D.
25	174	11	51	108	16	79
40	202	14	73	127	16	98.5
50	210	16	92	152	19	120.5
65	220	17.5	105	178	19	140
80	242	19	127	190.5	19	152.4
100	294	24	157	229	22	190.5
150	383	25	216	279	22	241
200	454	28.5	270	343	22	298.4
250	564	30	324	406	25	362
300	630	30	382	483	25	432

## Hydraulic Test Pressure

Body	
7 Kg/cm <sup>2</sup>	100 PSIG

S. N.	Parts Name	Material	Qty
01	Body	C.I.	1
02	Cover	C.I.	1
03	Screen	S.S. 202/S.S. 304	1
04	Cover Stud & Nut	M.S.	-

Note: (1) All Dimension are in mm  
(2) Tolerance  $\pm 3$  mm