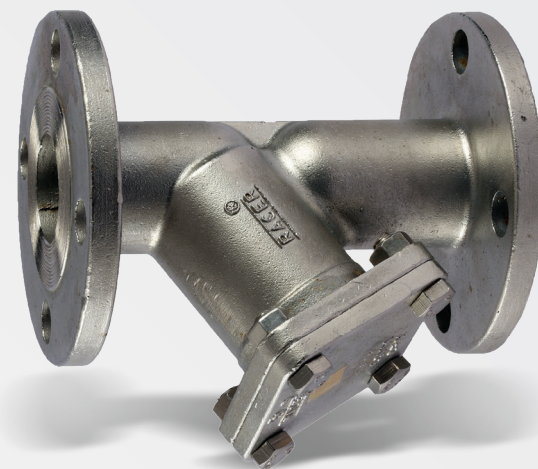


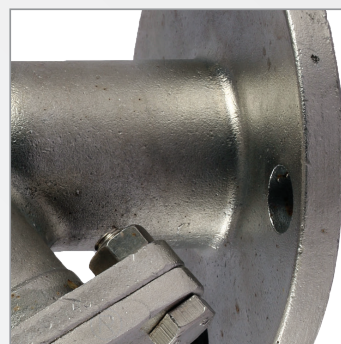
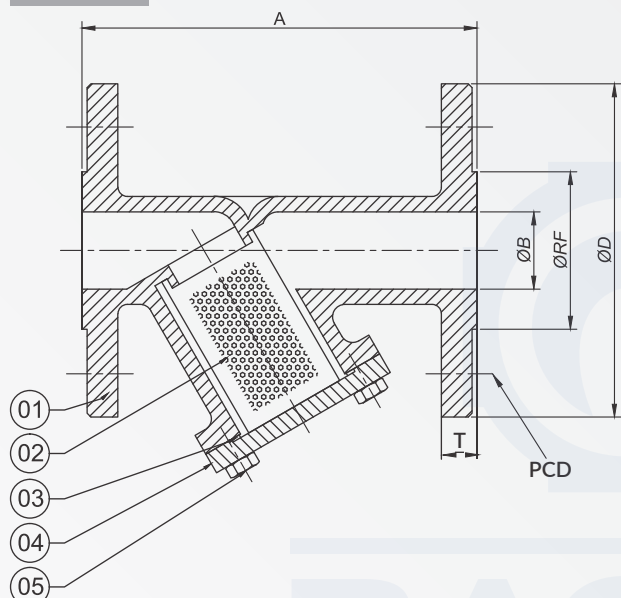
I. C. "Y" Strainer Flange End

Technical Data

Face To Face:	As Per DIN-40 Type / ANSI B 16.10
End Connections:	Flange as per ANSI B 16.5
Shell Wall Thickness:	ANSI B 16.34



Drawing »



S. N.	Parts Name	Material	Qty
01	Body	ASTM A 351 Gr. CF8/CF8M	1
02	Screen	304/316	1
03	'O' Ring	PTFE	1
04	Cover	ASTM A 351 Gr. CF8/CF8M	1
05	Cover Nut Boltst	M.S./S.S.	-

"Y" STRAINER F/E						
Size	A	ØB	ØD	RF	PCD	T
25	127	25	108	51	79.5	11.5
40	165	38	127	73	98.5	13
50	178	50	152	95	118	14.5
65	189	64	176	105	138	14.5
80	202	75	189	126	151	16
100	232	100	225	157	190.5	17
125	356	126	254	185	216	22
150	410	152	277	216	241	26.5

PRIMARY SERVICE RATING & TEST PRESSURE		
Class	Hydro Test Pressure	Max. Temp.
	Body	
150	425 PSI	180°C

Note: (1) All Dimension are in mm
(2) Tolerance ± 3 mm