

C. I. Bucket & Ball Float Type Steam Traps

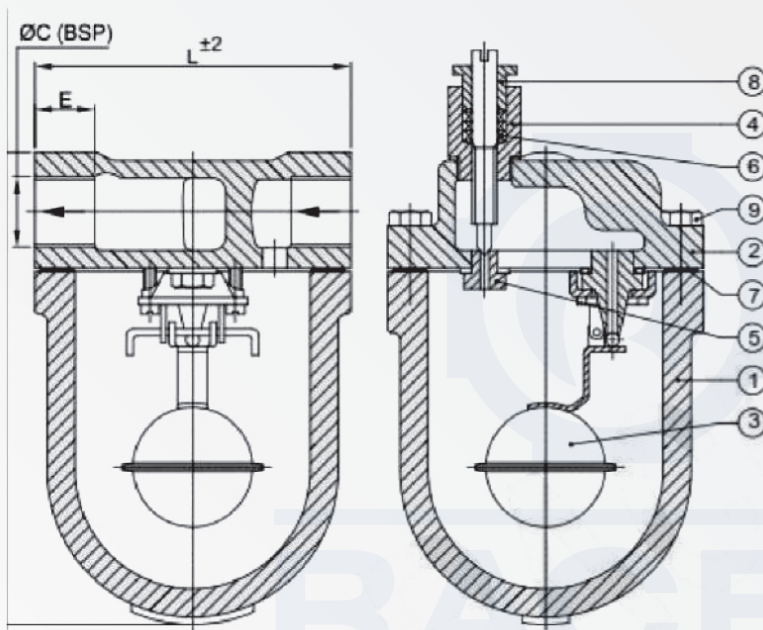
Technical Data

Design and Manufacturing Std: IS 12268 / ISO 6552

End Connection: Screw End, BSP

Body Test: 15 Kg / Cm²

Drawing »



STEAM TRAP			
Size		L	ØC (BSP)
Inch	M.M.		
1"	25	124 mm	1"
1.5"	40	270 mm	1.5"
2"	50	270 mm	2"

S. N.	Parts Name	Material
01	Body	CI to IS 210 Gr. FG 200
02	Cover	CI to IS 210 Gr. FG 200
03	Bucket	S.S.
04	Valve	Gun Metal
05	Lock Plate	S.S.
06	Cover Gasket	Graphite
07	Seat	S.S.
08	Body Bolt & Nut	Carbon Steel
09	Cover Bolt	Carbon Steel

Note: (1) All Dimension are in mm
(2) Tolerance ± 3 mm